



Self-contained ice maker - Sprayer system Daily production up to 23 kg

Hotel	████████████████████
Restaurant	██████████████████
Fast food	██████████████
Bar	██████████████████
Disco	██████████████████
Fish market	██████████████
Supermarket	██████████████
Medical & SPA	██████████████
Industry	██████████████

► Position n°



► Features & Plus

- Compact and crystal cube
- AISI 304 SS Scotch Brite finish
- Possible ABS finish
- Tropical class +43°C
- Cleanable antiscala filter
- Air or water cooling system
- Easy cleanable internal rounded surfaces
- HCFC-Free insulated storage
- RoHS Free
- Disappearing insulated door
- Electromechanical operation
- ON-OFF rocker switch
- Standard and special voltages
- Patented sprayer slide
- HFC Free
- Automatic Washing system



Possible ABS finish



Cleanable antiscala filter



Disappearing insulated door



Patented sprayer slide

► Available ice cube size



► Prod. 24h

°C	Air temp.		Water temp.		kg	lbs
	10° C	50° F	7° C	45° F		
	21° C	70° F	15° C	60° F		
					23	51
					21	46

2 Years Warranty
subject to limitations

► Certifications available for this model



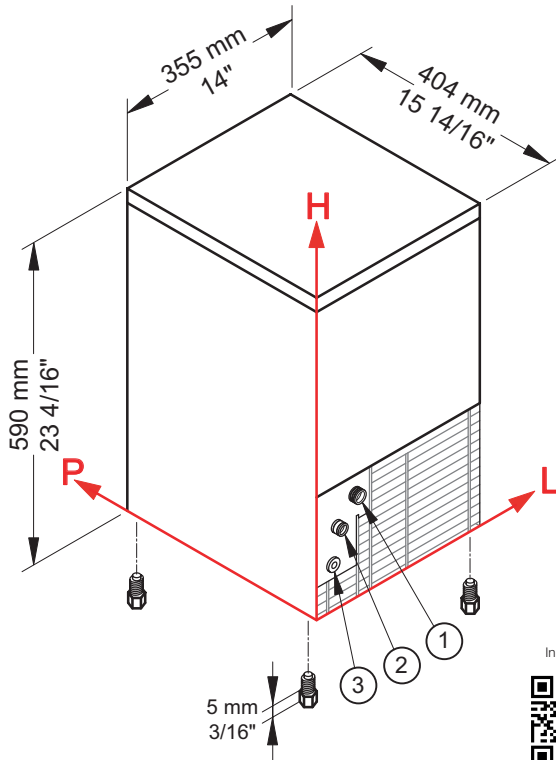


Ice Cube

CB 184 HC



Self-contained ice maker - Sprayer system Daily production up to 23 kg



► Working conditions

- Location: **Indoor**

	Min	Max
Ambient temperature	+10° C / +50° F	+43° C / 110° F
Water temperature	+3° C / +37° F	+32° C / +90° F
Voltage	-10%	+10%
Water inlet pressure	1bar (14 psi)	6bar (84 psi)

► Performances

	Air temperature	Water temperature	Water temperature				
			7° C	45° F	15° C	60° F	21° C
	10° C	23 kg					
	50° F	51 lbs					
	21° C			21 kg			
	70° F			46 lbs			
	32° C				16 kg		
	90° F					35 lbs	

► Connections

All measures are referred to the rear bottom-left corner (L-H-Ø)

- ① Water in.: 88 mm / 3 7/16" - 184 mm / 7 4/16" - 3/4" ② Water out.: 45 mm / 1 12/16" - 138 mm / 5 7/16" - 24 mm / 15/16"
- ③ Electrical connections: 41 mm / 1 10/16" - 73 mm / 2 14/16"

► Technical information

Production in 24h	21 kg / 46 lbs	Water consumption	A: 4 l/kg - 48 gal/100 lbs
Store capacity, up to	4 kg / 9 lbs		W: 25 l/kg - 300 gal/100 lbs
Cooling system	A - W	Sizes (L-P-H mm)	355 - 404 - 590
Kind of cube	D-13g	(L-P-H in)	14 - 15 14/16 - 23 4/16
Refrigerant	R290	Sizes with pack (L-P-H mm)	415 - 445 - 780
Standard voltage	220-240 V ~ 50 Hz	(L-P-H in)	16 5/16 - 17 8/16 - 30 11/16
Average power consumption	260 W	Net weight	27,5 kg / 61 lbs
Fuse	10 A	Gross weight	34 kg / 75 lbs
Electrical consumption	35 kWh/100kg	Finish	AISI 304 stainless steel, scotch brite - ABS blue or grey

All the technical information must be considered at the following conditions:

- Sizes without feet
- Standard Cube (13 g)
- Ambient temperature +21° C
- Water temperature +15° C
- Electrical consumption at +32° C (standard voltage)
- Average power consumption at +43° C (standard voltage)

Models and specifications are subject to change without notice

Rev. 02 - Issued September 2019



www.bremaice.it
info@bremaice.it

Bim + Data
download

